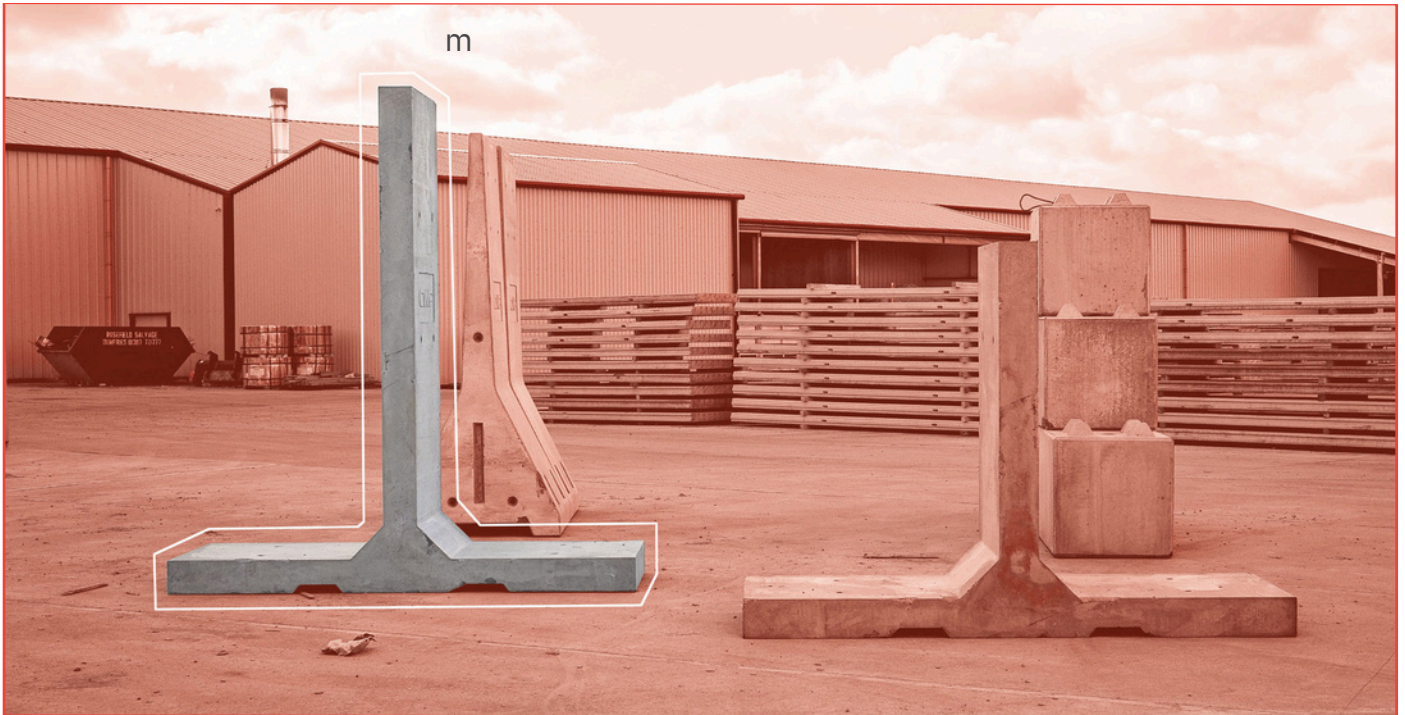


Specialists in high quality concrete products

## T Wall Specifications

Width	Height	Weight
1000mm	2000m	2.2T
1000mm	m	2.65T

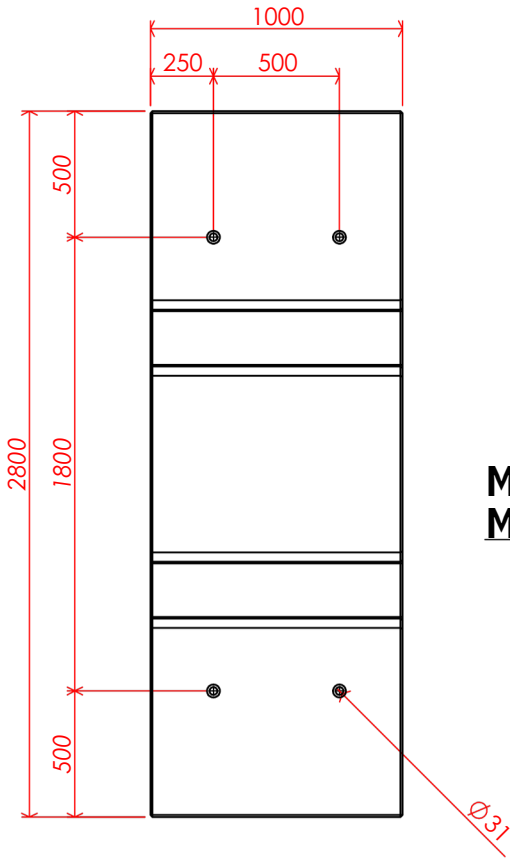
3000m  
m



## Features & Benefits:

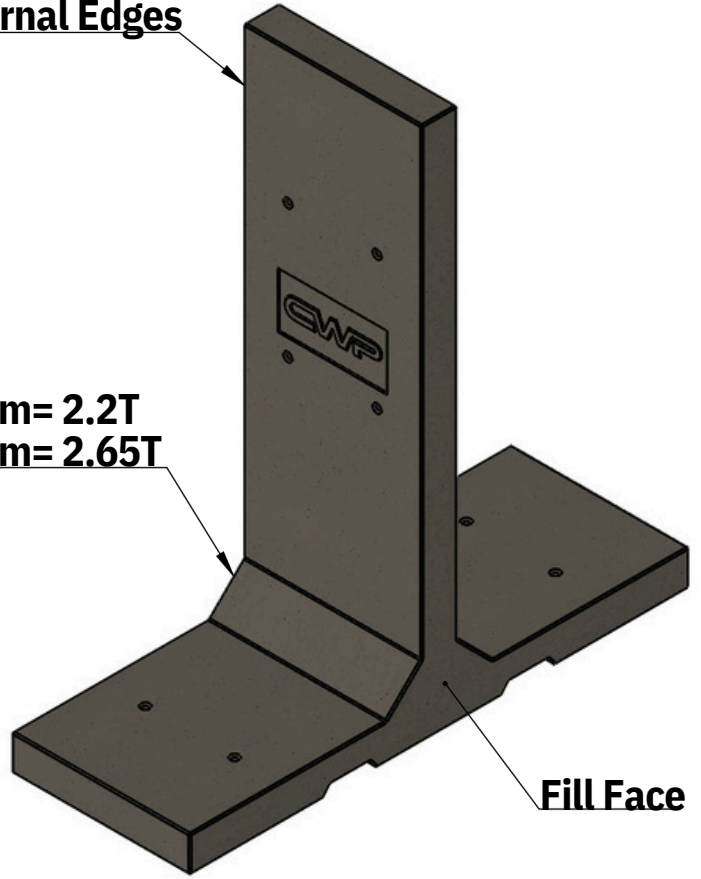
<b>Uses:</b>	Waste & Recycling Facilities, Agricultural Buildings, Storage Bays, Aggregate Bays, Flood Alleviation Works, and ideal for Grain & Silage Storage.
<b>Fixing:</b>	A water tight tank can be created by fixing your walling system on to the foundations and a concrete floor can be poured over the base of the wall units.
<b>Access:</b>	T Walls come with cast in fork pockets for easy manoeuvrability.
<b>Optional Extras:</b>	Fixing down kits and construction mastic can also be supplied. Ask our team for more details.



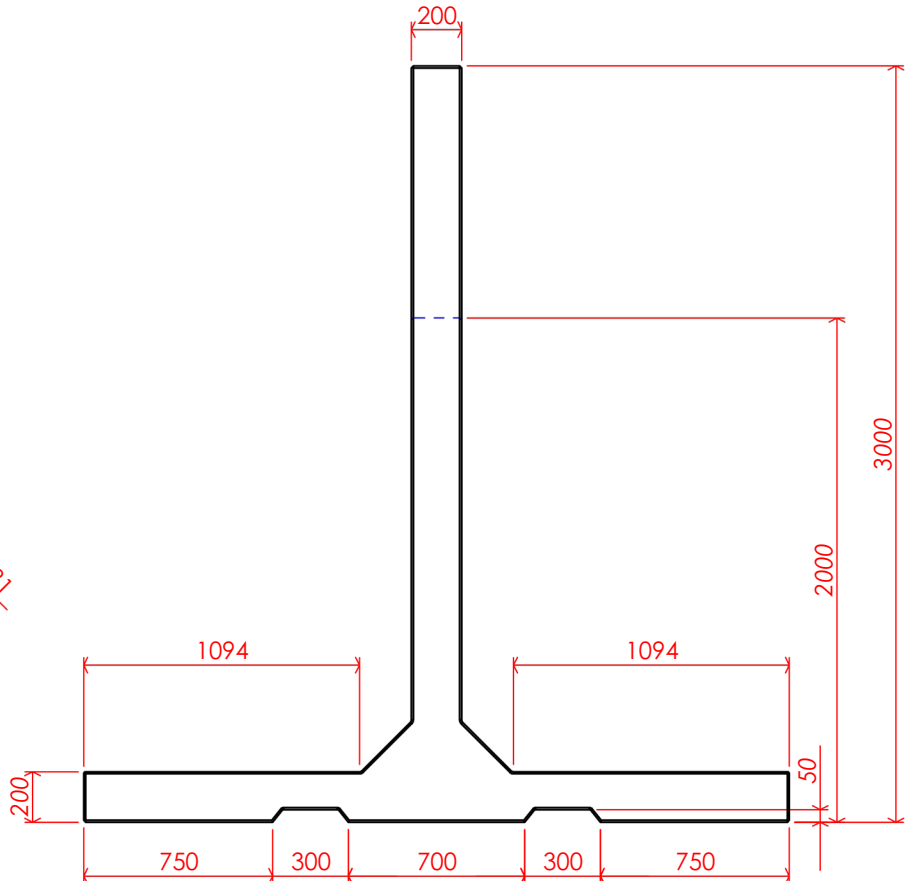
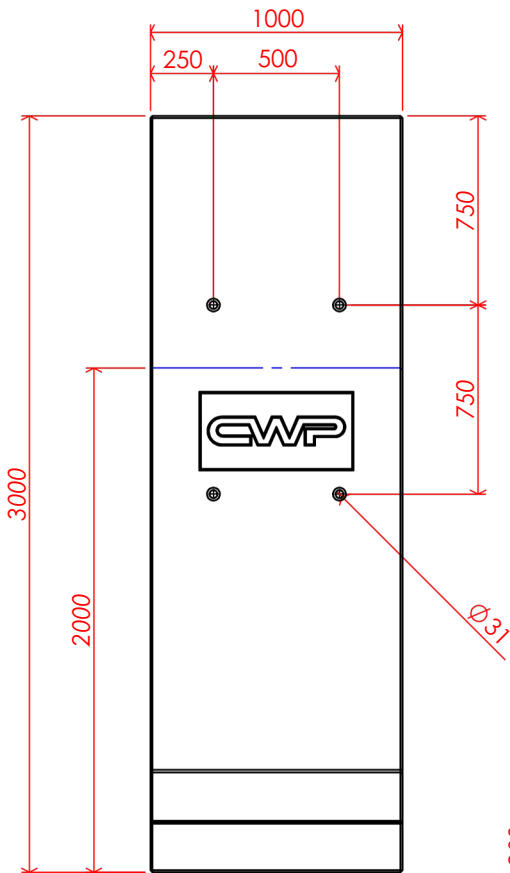


**10x10 Chamfer  
All External Edges**

**Mass of 2m= 2.2T  
Mass of 3m= 2.65T**



**Fill Face**



# 3m & 2m T-Wall

**CWP**

Glasgow Road, Lockerbie,  
DG11 2SD T: 01576 204 367

**CWP**

Specialists in high  
quality concrete products